

www.snowman.cn

Version Number: C-RC02-CN-V1.0

雪人集团  
SNOWMAN GROUP | 25<sup>TH</sup>



官方微信



营销服务联系方式

福建雪人集团股份有限公司

地址：福建省福州市长乐区航城街道洞江西路8号

电话：0591-2870 1111

传真：0591-2870 9222

邮箱：info@snowman.cn

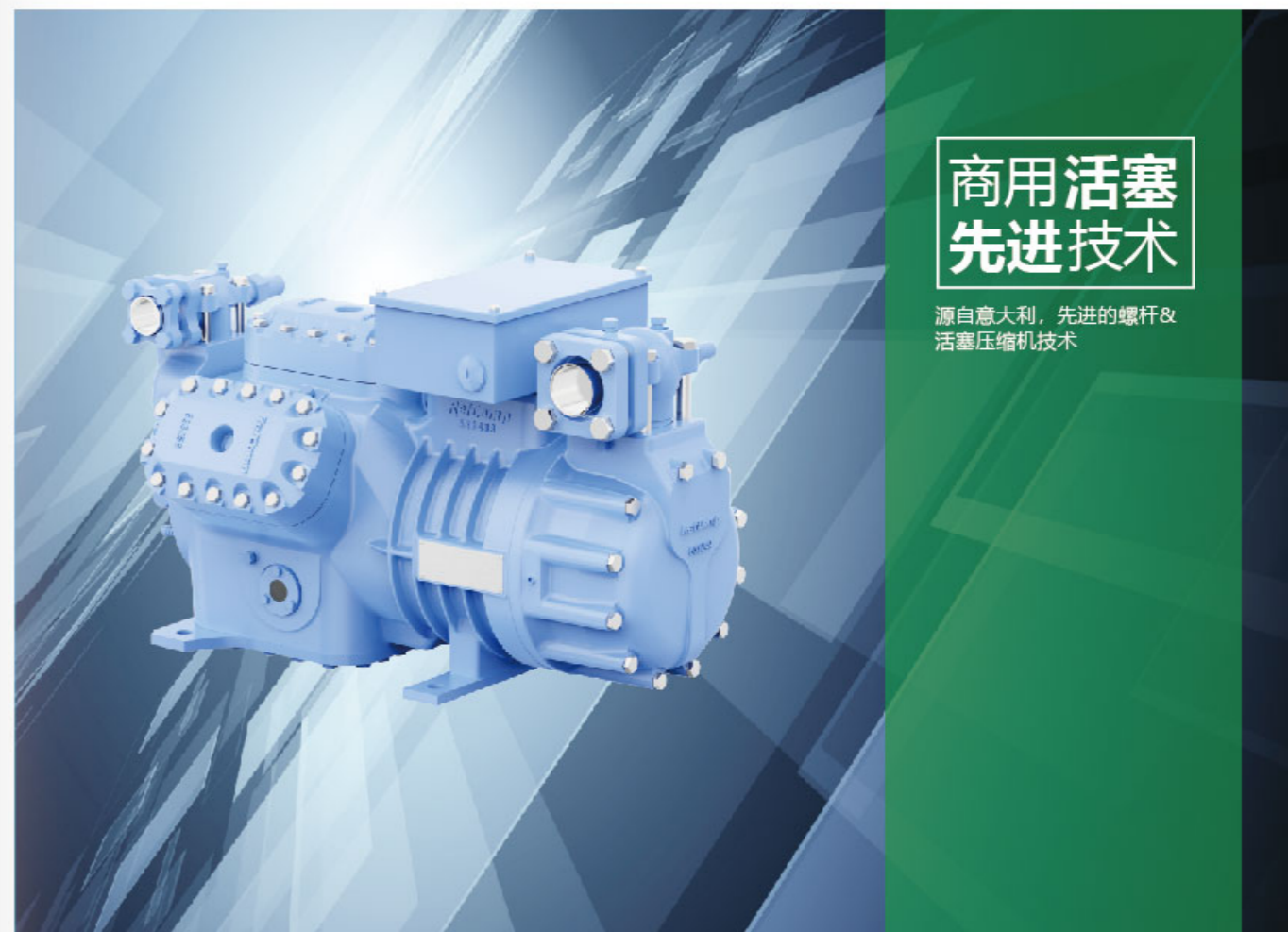
网址：www.snowman.cn

雪人集团保留不预先通知便可自行改变其产品的权利，产品技术参数以订货合同或合同技术附件为准。

RefComp

## Reciprocating Compressor

SP系列半封闭活塞压缩机



商用活塞  
先进技术

源自意大利，先进的螺杆&  
活塞压缩机技术

全球统一服务热线  
400-109-6660



## 目 录

名 称	页码
结构图 .....	01
型号说明 .....	03
技术参数 .....	04
产品特点 .....	05
应用范围 .....	05
性能参数 .....	06
供货范围 .....	14
外形尺寸图 .....	15

## RefComp SP系列半封闭活塞压缩机结构图

SP系列活塞压缩机是应用广泛的系列化压缩机，有2/4/6/8缸机型，功率范围3~70HP，在各类工商业制冷领域及空调领域都广泛应用。应用新理念及新设计，SP系列压缩机支持使用R290等环保制冷剂，无论是追求高效节能的现代建筑，还是对制冷质量有严格要求的行业，SP系列压缩机均以其可靠、灵活的特点成为理想选择。

### 安全阀

- 机体内置安全阀，连接高压和低压侧，保证压缩机安全运行；
- 高规格的设计要求，密封可靠、动作灵敏。



### 制冷量调节

- 根据负荷调节制冷量；
- 制冷量调节范围分为4缸机50%制冷量、6缸机66%~33%制冷量和8缸机75%~50%制冷量，较大限度地满足系统制冷量的需求。



### 机体

- 设计压力达30bar；
- 低压降进气通道设计，同时能充分冷却电机；
- 中间直通气道，减小沿程损失；排气损失小，损耗低；
- 高度集成温度传感器、截止阀、吸气过滤器等部件，结构紧凑并有效提高设备可靠性；
- 设有排油单向阀，避免电机内积油，保证油平衡。



### 曲轴、连杆、活塞

- 基于转子动力学设计的平衡型曲轴，保证刚性，同时降低振动；
- 效率高、强度高、气流脉动和噪音低，采用新技术，达到同类产品领先水平；
- 优化设计，提高压缩效率，有效运用在中低温制冷场合；
- 连杆活塞通过活塞销相连，连杆的小头内有耐磨的轴瓦，可以加长使用寿命。



### 电机保护

- 配置INT69B2电机保护模块，动态监控，保障压缩机运行安全。



### 截止阀

- 部分吸/排气截止阀可旋转，安装简单、紧凑和灵活。



### 吸气过滤器

- 内置精密吸气过滤器，有效过滤制冷气体中杂质并保护电机；
- 置于机体吸气端最外侧，结构紧凑、更换简便。



### 轴承

- 采用滑动轴承（轴瓦）、止推垫片组合配对，实现高载荷、高耐磨、低噪音，保证产品生命周期；
- 高耐磨滑动体及良好的润滑，设计寿命达5~8万小时。



### 电机

- 高效PW型电机，启动电流小，能源效率高；
- 根据不同区域的电压，设计多种运行电压和频率，满足各种电压需求；
- 特殊定制材料，能同时兼容R407C、R134a、R404A、R507A等多种制冷剂；
- 特殊的结构设计及空间布局，利用吸气工质对驱动电机进行有效冷却，同时保证吸气过热度。



### 型号说明

压缩机	SP	4	H	N	2000
	SP	4	L	F	080E

系列	半封闭活塞压缩机
----	----------

气缸数	SP系列: 2, 4, 6, 8
-----	------------------

电机类型	H 高温压缩机电机 L 低温压缩机电机
------	------------------------

润滑油方式 <sup>(1)</sup> (仅SP系列)	F 强制润滑(带油泵) N 飞溅润滑(不带油泵)
------------------------------	-----------------------------

电机名义功率 HP X 100 <sup>(2)</sup>	
--------------------------------	--

(1) 仅针对4缸型号: 10~20[HP]高温压缩机和6~12[HP]低温的压缩机

(2) 字母“E”结尾的型号表示用POE油的压缩机

### 技术参数

型号SP	H (高温压缩机)																	
	SP2H				SP4HF/SP4HN				SP4H				SP6H			SP8H		
	0500	0600	0800	0900	1000	1200	1500	2000	2200	2500	3000	3500	3700	4000	5000	6000	7000	
额定功率	HP/kW	5/3.7	6/4.4	8/5.9	9/6.6	10/7.5	12/8.9	15/11.2	20/14.9	22/16.4	25/18.7	30/22.4	35/26.1	37/27.6	40/29.9	50/37.3	60/45	70/52
排气量	m <sup>3</sup> /hr	17.5/21	21/25.2	24.5/29.4	28/33.6	35/42	42/50.4	49/58.8	56/67.2	64.7/77.6	75/90	86.1/103.3	102.9/123.5	112.5/135	129.1/154.9	154.4/185.3	186/224	222/268
气缸数		2				4				6			8					
重量	kg	86	87	87	91	143	146	152	155	193	206	209	238	241	246	250	345	350
注油量	dm <sup>3</sup>	1.8	1.8	1.8	1.8	2.6	2.6	2.6	2.6	3.7	3.7	3.7	3.7	4.2	4.2	4.2	5	5
曲轴箱加热器		230V-120W-50/60Hz -PTC				230V-200W-50/60Hz -PTC				230V-150W-50/60Hz			230V-200W-50/60Hz					
排气管内径Φ	mm/inch	16/5/8"	16/5/8"	22/7/8"	22/7/8"	22/7/8"	28/1 1/8"	28/1 1/8"	28/1 1/8"	28/1 1/8"	28/1 1/8"	28/1 1/8"	35/1 3/8"	35/1 3/8"	35/1 3/8"	42/1 5/8"	54/2 1/8"	54/2 1/8"
吸气管内径Φ	mm/inch	28/1 1/8"	28/1 1/8"	28/1 1/8"	28/1 1/8"	28/1 1/8"	35/1 3/8"	35/1 3/8"	42/1 5/8"	42/1 5/8"	42/1 5/8"	54/2 1/8"	54/2 1/8"	54/2 1/8"	54/2 1/8"	54/2 1/8"	67/2 5/8"	67/2 5/8"
能量调节		-	-	-	-	100%,50%				100%,50%			100%,66%,33%		100%,75%,50%			
标准电机		230V/3/50Hz Y/D (230V-D/400V/Y)				400V/3/50Hz 或 460V/3/60Hz <sup>(1)</sup> PW												
启动电流 PW/DOL	A	54/94	60/104	85/148	97/169	71/110	75/125	86/144	106/168	102/170	123/201	150/243	178/290	178/290	201/330	233/394	271/361	329/439
最大运行电流	A	12/21	14/24	16/28	20/35	24	27	33	40	37	43	52	56	60	75	93	115	140

型号SP	L (低温压缩机)																	
	SP2L				SP4LF/SP4LN				SP4L				SP6L			SP8L		
	0300	0400	0500	0600	0600	0800	1000	1200	1500	1800	2200	2500	2700	3000	4000	5000	6000	
额定功率	HP/kW	3/2	4/3	5/3.7	6/4.4	6/4.5	8/5.9	10/7.5	12/8.9	15/11.2	18/13.3	22/16.4	25/18.7	27/20.2	30/22.4	40/29.9	50/37	60/45
排气量	m <sup>3</sup> /hr	17.5/21	21/25.2	24.5/29.4	28/33.6	35/42	42/50.4	49/58.8	56/67.2	64.7/77.6	75/90	86.1/103.3	102.9/123.5	112.5/135	129.1/154.9	154.4/185.3	186/224	222/268
气缸数		2				4				6			8					
重量	kg	84	85	85	86	134	139	144	146	182	186	195	220	230	236	247	340	345
注油量	dm <sup>3</sup>	1.8	1.8	1.8	1.8	2.6	2.6	2.6	2.6	3.7	3.7	3.7	3.7	4.2	4.2	4.2	5	5
曲轴箱加热器		230V-120W-50/60Hz -PTC				230V-200W-50/60Hz -PTC				230V-200W-50/60Hz			230V-200W-50/60Hz					
排气管内径Φ	mm/inch	16/5/8"	16/5/8"	22/7/8"	22/7/8"	22/7/8"	28/1 1/8"	28/1 1/8"	28/1 1/8"	28/1 1/8"	28/1 1/8"	28/1 1/8"	35/1 3/8"	35/1 3/8"	35/1 3/8"	42/1 5/8"	54/2 1/8"	54/2 1/8"
吸气管内径Φ	mm/inch	28/1 1/8"	28/1 1/8"	28/1 1/8"	28/1 1/8"	28/1 1/8"	35/1 3/8"	35/1 3/8"	35/1 3/8"	42/1 5/8"	42/1 5/8"	54/2 1/8"	54/2 1/8"	54/2 1/8"	54/2 1/8"	54/2 1/8"	67/2 5/8"	67/2 5/8"
能量调节		-	-	-	-	100%, 50%				100%, 50%			100%, 66%, 33%		100%,75%,50%			
标准电机		230V/3/50Hz Y400V/3/50Hz				400V/3/50Hz 或 460V/3/60Hz <sup>(1)</sup> PW												
启动电流 PW/DOL	A	35/61	49/85	54/94	60/104	43/70	54/88	71/110	75/125	88/146	102/170	102/170	123/201	123/201	150/243	201/330	237/316	271/361
最大运行电流	A	9/16	10/17	12/21	14/24	16	19	24	27	29	33	39	43	48	54	75	97	115

(1) 电压允许波动范围±10%

## 产品特点

### 制冷剂通用性强

通用R407C、R134a、R404A和R507A等HFC 无氯制冷剂。

### 高能效比

配备电机保护模块，高效吸气冷却电机，低能耗，效率高；

可根据负荷选择不同的制冷量级数；

优化的低压缩比。

### 优化的润滑系统

### 结构紧凑

优化的机身设计及优质的铸件材料；

整机尺寸小，集过滤器、截止阀、温度传感器于机身一体。

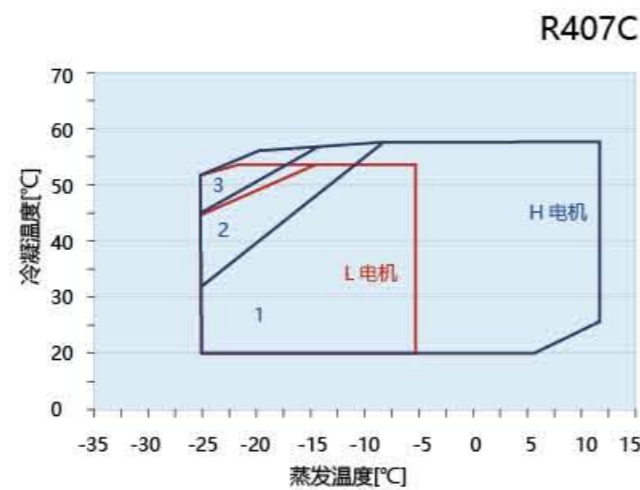
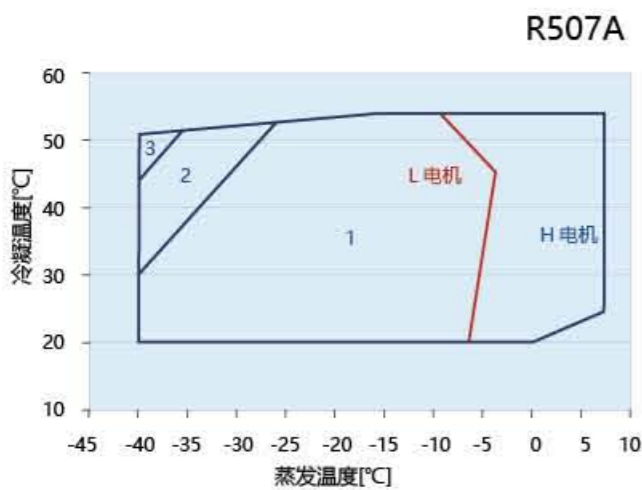
### 运行平稳、噪音低

采用 RefComp 自行设计的曲轴配有平衡块，达到同类型产品的先进水平。

### 安装简便、可维护性高

满足各种效率和性能优良的水冷、风冷和热泵机组要求。

## 应用范围



满负荷运行应用范围

1 = 标准应用范围 ([25°C]吸气温度)

2 = 附加冷却应用范围

3 = 需附加冷却+最大10K吸气过热度的应用范围

4 = 需附加冷却+喷液冷却LCM的应用范围 (不适用于8缸型号SP8H.....SP8L)

## 性能参数 (SP\*H, 制冷剂R407C)

SP2H050E												
Tc	30			40			50			58		
Te	Pf	Pa	Pf	Pa	Pf	Pa	Pf	Pa	Pf	Pa		
-25	4.3	1.8	3.4	1.9	2.8	1.9	-	-	-	-		
-20	5.7	2.2	4.6	2.3	3.7	2.4	-	-	-	-		
-15	7.5	2.5	6.2	2.7	5.1	2.9	-	-	-	-		
-10	9.6	2.8	8.2	3.1	6.8	3.3	-	-	-	-		
-5	12.2	3.0	10.6	3.4	8.9	3.7	7.6	3.9	-	-		
0	15.3	3.1	13.3	3.6	11.4	4.0	9.8	4.4	-	-		
5	18.7	3.2	16.5	3.8	14.2	4.4	12.3	4.8	-	-		
10	22.5	3.3	20.1	4.0	17.5	4.7	15.3	5.1	-	-		

SP2H060E												
Tc	30			40			50			58		
Te	Pf	Pa	Pf	Pa	Pf	Pa	Pf	Pa	Pf	Pa		
-25	5.2	2.2	4.1	2.3	3.4	2.3	-	-	-	-		
-20	6.8	2.6	5.5	2.8	4.5	2.9	-	-	-	-		
-15	6.9	3.0	7.4	3.3	6.4	3.4	-	-	-	-		
-10	11.6	3.3	9.8	3.7	8.2	3.9	-	-	-	-		
-5	14.7	3.5	12.7	4.0	10.7	4.4	9.1	4.7	-	-		
0	18.3	3.7	16.0	4.3	13.7	4.8	11.7	5.2	-	-		
5	22.4	3.9	19.8	4.6	17.1	5.2	14.8	5.7	-	-		
10	27.0	3.9	24.1	4.8	21.0	5.5	18.3	6.1	-	-		

SP2H080E												
Tc	30			40			50			58		
Te	Pf	Pa	Pf	Pa	Pf	Pa	Pf	Pa	Pf	Pa		
-25	6.0	2.5	4.7	2.6	3.9	2.6	-	-	-	-		
-20	7.9	3.0	6.4	3.2	5.2	3.3	-	-	-	-		
-15	10.4	3.5	8.6	3.8	7.1	4.0	-	-	-	-		
-10	13.5	3.8	11.4	4.2	9.5	4.6	-	-	-	-		
-5	17.1	4.1	14.8	4.7	12.4	5.1	10.6	5.4	-	-		
0	21.4	4.3	18.7	5.0	15.9	5.6	13.7	6.0	-	-		
5	26.2	4.5	23.1	5.3	19.9	6.0	17.3	6.6	-	-		
10	31.5	4.6	28.2	5.6	24.5	6.4	21.4	7.1	-	-		

SP2H090E												
Tc	30			40			50			58		
Te	Pf	Pa	Pf	Pa	Pf	Pa	Pf	Pa	Pf	Pa		
-25	6.9	2.9	5.4	3.0	4.5	3.0	-	-	-	-		
-20	9.1	3.5	7.3	3.7	6.0	3.8	-	-	-	-		
-15	11.9	3.9	9.9	4.3	8.1	4.5	-	-	-	-		
-10	15.4	4.4	13.1	4.8	10.9	5.2	-	-	-	-		
-5	19.6	4.7	16.9	5.3	14.2	5.8	12.1	6.2	-	-		
0	24.4	4.9	21.4	5.7	18.2	6.4	15.6	6.9	-	-		
5	29.9	5.1	26.5	6.0	22.8	6.9	19.7	7.5	-	-		
10	36.0	5.2	32.2	6.3	28.0	7.3	24.4	8.1	-	-		

SP4HF100E/SP4HN100E												
Tc	30			40			50			58		
Te	Pf	Pa	Pf	Pa	Pf	Pa	Pf	Pa	Pf	Pa		
-25	8.6	3.6	6.8	3.7	5.6	3.8	-	-	-	-		
-20	11.4	4.3	9.2	4.6	7.5	4.8	-	-	-	-		
-15	14.9	4.9	12.4	5.4	10.2	5.7	-	-	-	-		
-10	19.3	5.4	16.3	6.0	13.6	6.5	-	-	-	-		
-5	24.5	5.8	21.1	6.6	17.8	7.3	15.2	7.7	-	-		
0	30.5	6.2	26.7	7.1	22.8	7.9	19.5	8.6	-	-		
5	37.4	6.4	33.1	7.5	28.5	8.6	24.7	9.4	-	-		
10	45.0	6.5	40.2	7.9	35.0	9.2	30.5	10.1	-	-		

SP4HF120E/SP4HN120E												
Tc	30			40			50			58		
Te	Pf	Pa	Pf	Pa	Pf	Pa	Pf	Pa	Pf	Pa		
-25	10.3	4.3	8.1	4.5	6.7	4.5	-	-	-	-		
-20	13.6	5.2	11.0	5.5	9.0	5.7	-	-	-	-		
-15	17.9	5.9	14.8	6.4	12.2	6.8	-	-	-	-		
-10	23.1	6.5	19.6	7.2	16.3	7.8	-	-	-	-		
-5	29.4	7.0	25.3	7.9	21.3	8.7	18.2	9.3	-	-		
0	36.6	7.4	32.0	8.5	27.3	9.5	23.4	10.3	-	-		
5	44.8	7.6	39.7	9.0	34.2	10.3	29.6	11.2	-	-		
10	54.1	7.8	48.3	9.5	42.0	11.0	36.7	12.2	-	-		

SP4HF150E/SP4HN150E												
Tc	30			40			50			58		
Te	Pf	Pa	Pf	Pa	Pf	Pa	Pf	Pa	Pf	Pa		
-25	12.1	5.0	9.5	5.2	7.8	5.3	-	-	-	-		
-20	15.9	6.0	12.9	6.4	10.5	6.7	-	-	-	-		
-15	20.9	6.9	17.3	7.5	14.2	7.9	-	-	-	-		
-10	27.0	7.6	22.9	8.4	19.0	9.1	-	-	-	-		
-5	34.3	8.2	29.6	9.3	24.9	10.2	21.2	10.8	-	-		
0	42.7	8.6	37.4	9.9	31.9	11.1	27.3	12.0	-	-		
5	52.3	8.9	46.3	10.5	39.9	12.0	34.5	13.1	-	-		
10	63.1	9.1	56.3	11.0	49.0	12.8	42.8	14.2	-	-		

SP4HF200E/SP4HN200E												
Tc	30			40			50			58		
Te	Pf	Pa	Pf	Pa	Pf	Pa	Pf	Pa	Pf	Pa		
-25	13.8	5.7	10.9	6.0	9.0	6.0	-	-	-	-		
-20	18.2	6.9	14.7	7.4	12.0	7.6	-	-	-	-		
-15	23.9	7.9	19.8	8.6	16.3	9.1	-	-	-	-		
-10	30.9	8.7	26.2	9.6	21.7	10.4	-	-	-	-		
-5	39.2	9.3	33.8	10.6	28.5	11.6	24.2	12.4	-	-		
0	48.8	9.8	42.7	11.4	36.4	12.7	31.3	13.7	-	-		
5	59.8	10.2	52.9	12.0	45.6	13.7	39.5	15.0	-	-		
10	72.1	10.4	64.4	12.6	56.0	14.7	48.9	16.2	-	-		

SP4H220E												
Tc	30			40			50			58		
Te	Pf	Pa	Pf	Pa	Pf	Pa	Pf	Pa	Pf	Pa		
-25	15.9	7.2	12.5	8.2	10.3	9.0	-	-	-	-		
-20	21.0	8.1	17.0	9.4	13.9	10.4	-	-	-	-		
-15	27.6	9.0	22.9	10.4	18.8	11.8	-	-	-	-		
-10	35.7	9.7	30.2	11.4	25.1	13.0	-	-	-	-		
-5	45.3	10.3	39.0	12.2	32.9	14.2	28.0	15.9	-	-		
0	56.4	10.9	49.3	13.0	42.1	15.3	36.1	17.2	-	-		
5	69.1	11.3	61.1	13.6	52.7	16.2	45.6	18.5	-	-		
10	83.3	11.6	74.4	14.1	64.7	17.0	56.5	19.7	-	-		

SP4H250E												
Tc	30			40			50			58		
Te	Pf	Pa	Pf	Pa	Pf	Pa	Pf	Pa	Pf	Pa		
-25	18.5	8.4	14.6	9.5	12.0	10.4	-	-	-	-		
-20	24.3	9.4	19.7	10.9	16.1	12.1	-	-	-	-		
-15	32.0	10.4	26.5	12.1	21.8	13.7	-	-	-	-		
-10	41.4	11.3	35.0	13.2	29.1	15.1	-	-	-	-		
-5	52.5	12.0	45.3	14.2	38.1	16.5	32.5	18.4	-	-		
0	65.4	12.6	57.2	15.0	48.8	17.7	41.9	20.0	-	-		
5	80.1	13.1	70.9	15.8	61.1	18.8	52.9	21.4	-	-		
10	96.6	13.5	86.3	16.4	75.1	19.8	65.5	22.8	-	-		

### 性能参数 (SP\*H, 制冷剂R407C)

SP4H300E										
Tc	30			40			50			58
Te	Pf	Pa	Pf	Pa	Pf	Pa	Pf	Pa	Pf	Pa
-25	21.2	9.6	16.7	10.9	13.8	6.5	-	-	-	-
-20	27.9	10.8	22.6	12.5	18.4	8.5	-	-	-	-
-15	36.7	11.9	30.4	13.9	25.0	10.5	-	-	-	-
-10	47.4	12.9	40.2	15.1	33.4	12.5	-	-	-	-
-5	60.2	13.8	51.9	16.2	43.7	14.6	37.3	21.1	-	-
0	75.0	14.5	65.6	17.2	55.9	16.6	48.0	22.9	-	-
5	91.9	15.0	81.3	18.1	70.1	18.6	60.6	24.6	-	-
10	110.7	15.4	98.9	18.8	86.1	22.7	75.1	26.1	-	-

SP4H350E										
Tc	30			40			50			58
Te	Pf	Pa	Pf	Pa	Pf	Pa	Pf	Pa	Pf	Pa
-25	25.3	11.4	20.0	13.1	16.5	14.3	-	-	-	-
-20	33.4	12.9	27.0	14.9	22.0	16.6	-	-	-	-
-15	43.8	14.3	36.3	16.6	29.9	18.7	-	-	-	-
-10	56.7	15.5	48.0	18.1	39.9	20.7	-	-	-	-
-5	72.0	16.5	62.1	19.4	52.3	22.6	44.5	25.2	-	-
0	89.7	17.3	78.4	20.6	66.9	24.3	57.4	27.4	-	-
5	109.8	17.9	97.2	21.6	83.8	25.8	72.5	29.4	-	-
10	132.4	18.4	118.3	22.5	102.9	27.1	89.8	31.3	-	-

SP6H370E										
Tc	30			40			50			58
Te	Pf	Pa	Pf	Pa	Pf	Pa	Pf	Pa	Pf	Pa
-25	27.7	12.5	21.8	14.3	18.0	15.6	-	-	-	-
-20	36.5	14.2	29.5	16.3	24.1	18.2	-	-	-	-
-15	48.0	15.6	39.8	18.1	32.7	20.5	-	-	-	-
-10	62.0	16.9	52.6	19.8	43.7	22.7	-	-	-	-
-5	78.8	18.0	67.9	21.3	57.2	24.7	48.7	27.6	-	-
0	98.1	18.9	85.8	22.5	73.2	26.5	62.8	30.0	-	-
5	120.2	19.6	106.3	23.7	91.7	28.2	79.3	32.2	-	-
10	144.9	20.2	129.4	24.6	112.6	29.7	98.3	34.2	-	-

SP6H400E										
Tc	30			40			50			58
Te	Pf	Pa	Pf	Pa	Pf	Pa	Pf	Pa	Pf	Pa
-25	31.9	14.4	26.1	16.4	20.7	17.9	-	-	-	-
-20	42.1	16.3	33.9	18.7	27.7	20.9	-	-	-	-
-15	55.1	18.0	45.7	20.8	37.5	23.6	-	-	-	-
-10	71.3	19.4	60.4	22.7	50.2	26.1	-	-	-	-
-5	90.5	20.7	78.1	24.4	65.8	28.4	56.0	31.7	-	-
0	112.8	21.7	98.7	25.9	84.1	30.5	72.2	34.4	-	-
5	138.1	22.6	122.2	27.2	105.4	32.4	94.2	37.0	-	-
10	166.5	23.2	148.8	28.2	129.4	34.1	112.9	39.3	-	-

SP6H500E										
Tc	30			40			50			58
Te	Pf	Pa	Pf	Pa	Pf	Pa	Pf	Pa	Pf	Pa
-25	38.1	17.2	30.0	19.6	24.7	21.4	-	-	-	-
-20	50.2	19.5	40.6	22.4	33.1	24.9	-	-	-	-
-15	65.9	21.5	54.6	24.9	44.9	28.2	-	-	-	-
-10	85.2	23.2	72.2	27.2	60.0	31.2	-	-	-	-
-5	108.2	24.7	93.3	29.2	78.6	33.9	67.0	37.9	-	-
0	134.8	26.0	117.9	31.0	100.5	36.5	86.3	41.2	-	-
5	165.1	27.0	146.1	32.5	125.9	38.7	109.0	44.2	-	-
10	199.0	27.7	177.8	33.8	154.7	40.7	135.0	47.0	-	-

SP8H600E										
Tc	30			40			50			58
Te	Pf	Pa	Pf	Pa	Pf	Pa	Pf	Pa	Pf	Pa
-25	46.7	20.3	41.5	21.5	33.0	21.8	-	-	-	-
-20	62.6	23.4	55.7	25.2	45.9	26.2	-	-	-	-
-15	81.1	26.1	72.3	28.6	60.7	30.4	-	-	-	-
-10	102.7	28.5	91.6	31.8	77.9	34.4	-	-	-	-
-5	127.9	30.6	114.1	34.7	98.2	38.2	85.0	40.6	-	-
0	157.1	32.3	140.5	37.3	121.9	41.9	106.8	45.1	-	-
5	191.0	33.7	171.2	39.7	149.6	45.4	132.3	49.5	-	-
10	230.0	34.7	206.6	41.9	181.8	48.6	162.1	53.8	-	-

SP8H700E										
Tc	30			40			50			58
Te	Pf	Pa	Pf	Pa	Pf	Pa	Pf	Pa	Pf	Pa
-25	55.7	24.2	49.5	25.6	39.4	26.0	-	-	-	-
-20	74.7	27.9	66.5	30.0	54.7	31.3	-	-	-	-
-15	96.8	31.2	86.3	34.1	72.4	36.3	-	-	-	-
-10	122.6	34.1	109.3	37.9	93.0	41.1	-	-	-	-
-5	152.6	36.5	136.2	41.4	117.2	45.7	101.5	48.5	-	-
0	187.5	38.6	167.7	44.6	145.5	50.0	127.5	53.9	-	-
5	228.0	40.2	204.3	47.4	178.6	54.1	157.9	59.1	-	-
10	274.5	41.4	246.7	50.0	217.0	58.1	193.5	64.2	-	-

图例  
 Pf = 制冷量(kW)  
 Pa = 输入功率(kW)  
 Te = 蒸发温度(°C)  
 Tc = 冷凝温度(°C)  
 50Hz = 频率  
 液体过冷度5K  
 吸气过热度10K  
 表示需要附加冷却(参考应用界限)  
 参考全负荷50Hz运转界限  
 不同工况下的性能数据请参考莱富康LEONARDO选型软件

### 性能参数 (SP\*L, 制冷剂R407C)

SP2L030E										
Tc	30			40			50			54
Te	Pf	Pa	Pf	Pa	Pf	Pa	Pf	Pa	Pf	Pa
-25	4.3	1.7	3.4	1.8	2.8	1.8	-	-	-	-
-20	5.7	2.1	4.6	2.2	3.7	2.3	3.5	2.3	-	-
-15	7.5	2.4	6.2	2.6	5.1	2.7	4.7	2.8	-	-
-10	9.6	2.6	8.2	2.9	6.8	3.1	6.3	3.2	-	-
-5	12.2	2.8	10.6	3.2	8.9	3.5	8.2	3.6	-	-

SP2L040E										
Tc	30			40			50			54
Te	Pf	Pa	Pf	Pa	Pf	Pa	Pf	Pa	Pf	Pa
-25	5.2	2.0	4.1	2.1	3.4	2.1	-	-	-	-
-20	6.8	2.5	5.5	2.6	4.5	2.7	4.2	2.7	-	-
-15	8.9	2.8	7.4	3.1	6.1	3.2	5.6	3.3	-	-
-10	11.6	3.1	9.8	3.4	8.2	3.7	7.5	3.8	-	-
-5	14.7	3.3	12.7	3.8	10.7	4.1	9.9	4.3	-	-

SP2L050E										
Tc	30			40			50			54
Te	Pf	Pa	Pf	Pa	Pf	Pa	Pf	Pa	Pf	Pa
-25	6.0	2.4	4.7	2.5	3.9	2.5	-	-	-	-
-20	7.9	2.9	6.4	3.0	5.2	3.1	4.9	3.2	-	-
-15	10.4	3.3	8.6	3.5	7.1	3.8	6.5	3.8	-	-
-10	13.5	3.6	11.4	4.0	9.5	4.3	8.8	4.4	-	-
-5	17.1	3.9	14.8	4.4	12.4	4.8	11.5	5.0	-	-

SP2L060E										
Tc	30			40			50			54
Te	Pf	Pa	Pf	Pa	Pf	Pa	Pf	Pa	Pf	Pa
-25	6.9	2.7	5.4	2.8	4.5	2.8	-	-	-	-
-20	9.1	3.2	7.3	3.5	6.0	3.6	5.5	3.6	-	-
-15	11.9	3.7	9.9	4.0	8.1	4.3	7.5	4.3	-	-
-10	15.4	4.1	13.1	4.5	10.9	4.9	10.0	5.0	-	-
-5	19.6	4.4	16.9	5.0	14.2	5.5	13.2	5.6	-	-

SP4LF060E/SP4LN060E										
Tc	30			40			50			54
Te	Pf	Pa	Pf	Pa	Pf	Pa	Pf	Pa	Pf	Pa
-25	8.6	3.9	6.8	4.4	5.6	4.9	-	-	-	-
-20	11.4	4.4	9.2	5.1	7.5	5.6	7.0	5.8	-	-
-15	14.9	4.9	12.4	5.6	10.2	6.4	9.4	6.7	-	-
-10	19.3	5.3	16.3	6.2	13.6	7.1	12.5	7.4	-	-
-5	24.5	5.6	21.1	6.6	17.8	7.7	16.5	8.1	-	-

SP4LF080E/SP4LN080E										
Tc	30			40			50			54
Te	Pf	Pa	Pf	Pa	Pf	Pa	Pf	Pa	Pf	Pa
-25	10.3	4.7	8.1	5.3	6.7	5.8	-	-	-	-
-20	13.6	5.3	11.0	6.1	9.0	6.8	8.4	7.0	-	-
-15	17.9	5.8	14.8	6.8	12.2	7.7	11.2	8.0	-	-
-10	23.1	6.3	19.6	7.4	16.3	8.5	15.0	8.9	-	-
-5	29.4	6.7	25.3	7.9	21.3	9.2	19.8	9.7	-	-

SP4LF100E/SP4LN100E										
Tc	30			40			50			54
Te	Pf	Pa	Pf	Pa	Pf	Pa	Pf	Pa	Pf	Pa
-25	12.1	5.5	9.5	6.2	7.8	6.8	7.4	7.0	-	-
-20	15.9	6.2	12.9	7.1	10.5	7.9	9.7	8.2	-	-
-15	20.9	6.8	17.3	7.9	14.2	8.9	13.1	9.3	-	-
-10	27.0	7.4	22.9	8.6	19.0	9.9	17.6	10.4	-	-
-5	34.3	7.8	29.6	9.3	24.9	10.8	23.1	11.4	-	-

SP4LF120E/SP4LN120E										
Tc	30			40			50			54
Te	Pf	Pa	Pf	Pa	Pf	Pa	Pf	Pa	Pf	Pa
-25	13.8	6.2	10.9	7.1	9.0	7.8	-	-	-	-
-20	18.2	7.0	14.7	8.1	12.0	9.0	11.1	9.4	-	-
-15	23.9	7.8	19.8	9.0	16.3	10.2	15.0	10.7	-	-
-10	30.9	8.4	26.2	9.8	21.7	11.3	20.1	11.9	-	-
-5	39.2	9.0	33.8	10.6	28.5	12.3	26.3	13.0	-	-

SP4L150E										
Tc	30			40			50			54
Te										

### 性能参数 (SP\*L, 制冷剂R407C)

SP4L220E										
Tc	30			40			50			54
Te	Pf	Pa	Pf	Pa	Pf	Pa	Pf	Pa	Pf	Pa
-25	21.2	9.6	16.7	10.9	13.8	11.9	-	-	-	-
-20	27.9	10.8	22.6	12.5	18.4	13.9	17.1	14.4	-	-
-15	36.7	11.9	30.4	13.9	25.0	15.7	23.0	16.4	-	-
-10	47.4	12.9	40.2	15.1	33.4	17.4	30.8	18.2	-	-
-5	60.2	13.8	51.9	16.2	43.7	18.9	40.5	20.0	-	-

SP4L250E										
Tc	30			40			50			54
Te	Pf	Pa	Pf	Pa	Pf	Pa	Pf	Pa	Pf	Pa
-25	25.5	11.5	20.1	13.2	16.6	14.4	-	-	-	-
-20	33.6	13.0	27.2	15.0	22.2	16.7	20.6	17.3	-	-
-15	44.1	14.4	36.6	16.7	30.0	18.9	27.7	19.7	-	-
-10	57.1	15.5	48.3	18.2	40.2	20.9	37.1	21.9	-	-
-5	72.4	16.6	62.5	19.5	52.6	22.7	48.7	24.0	-	-

SP6L270E										
Tc	30			40			50			54
Te	Pf	Pa	Pf	Pa	Pf	Pa	Pf	Pa	Pf	Pa
-25	27.7	12.5	21.8	14.3	18.0	15.6	-	-	-	-
-20	36.5	14.2	29.5	16.3	24.1	18.2	22.4	18.8	-	-
-15	48.0	15.6	39.8	18.1	32.7	20.5	30.1	21.4	-	-
-10	62.0	16.9	52.6	19.8	43.7	22.7	40.3	23.9	-	-
-5	78.8	18.0	67.9	21.3	57.2	24.7	53.0	26.1	-	-

SP6L300E										
Tc	30			40			50			54
Te	Pf	Pa	Pf	Pa	Pf	Pa	Pf	Pa	Pf	Pa
-25	31.9	14.4	25.1	16.4	20.7	17.9	-	-	-	-
-20	42.0	16.3	33.9	18.7	27.7	20.9	25.7	21.6	-	-
-15	55.1	18.0	45.7	20.8	37.5	23.6	34.6	24.6	-	-
-10	71.3	19.4	60.4	22.7	50.2	26.1	46.4	27.4	-	-
-5	90.5	20.7	78.1	24.4	65.8	28.4	60.9	30.0	-	-

SP6L400E										
Tc	30			40			50			54
Te	Pf	Pa	Pf	Pa	Pf	Pa	Pf	Pa	Pf	Pa
-25	38.2	17.3	30.1	19.7	24.8	21.5	-	-	-	-
-20	50.4	19.5	40.7	22.5	33.2	25.0	30.9	25.9	-	-
-15	66.2	21.6	54.9	25.0	45.1	28.3	41.6	29.5	-	-
-10	85.6	23.3	72.5	27.3	60.3	31.3	55.6	32.9	-	-
-5	108.6	24.8	93.7	29.3	78.9	34.1	73.0	36.0	-	-

SP8L500E										
Tc	30			40			50			54
Te	Pf	Pa	Pf	Pa	Pf	Pa	Pf	Pa	Pf	Pa
-25	46.7	20.3	41.5	21.5	33.0	21.8	-	-	-	-
-20	62.6	23.4	55.7	25.2	45.9	26.2	41.5	26.4	-	-
-15	81.1	26.1	72.3	28.6	60.7	30.4	55.7	30.9	-	-
-10	102.7	28.5	91.6	31.8	77.9	34.4	72.2	35.3	-	-
-5	127.9	30.6	114.1	34.7	98.2	38.2	91.6	39.5	-	-

SP8L600E										
Tc	30			40			50			54
Te	Pf	Pa	Pf	Pa	Pf	Pa	Pf	Pa	Pf	Pa
-25	55.7	24.2	49.5	25.6	39.4	26.0	-	-	-	-
-20	74.7	27.9	66.5	30.0	54.7	31.3	49.5	31.5	-	-
-15	96.8	31.2	86.3	34.1	72.4	36.3	66.4	36.9	-	-
-10	122.6	34.1	109.3	37.9	93.0	41.1	86.2	42.1	-	-
-5	152.6	36.5	136.2	41.4	117.2	45.7	109.3	47.1	-	-

图例  
 Pf = 制冷量(kW)  
 Pa = 输入功率(kW)  
 Te = 蒸发温度(°C)  
 Tc = 冷凝温度(°C)  
 50Hz = 频率  
 液体过冷度5K  
 吸气过热度10K  
 表示需要附加冷却(参考应用界限)  
 参考全负荷50Hz运转界限  
 不同工况下的性能数据请参考莱富康LEONARDO选型软件

### 性能参数 (SP\*H, 制冷剂R507A)

SP2H050E										
Tc	30			40			50			55
Te	Pf	Pa	Pf	Pa	Pf	Pa	Pf	Pa	Pf	Pa
-25	6.1	3.0	4.9	3.0	3.6	2.9	-	-	-	-
-20	7.8	3.2	6.3	3.4	4.8	3.4	-	-	-	-
-15	9.7	3.5	8.0	3.7	6.2	3.8	5.2	3.8	-	-
-10	11.9	3.6	10.0	4.0	7.9	4.2	6.7	4.2	-	-
-5	14.5	3.8	12.3	4.2	9.9	4.5	8.6	4.6	-	-
0	17.4	3.9	15.0	4.4	12.2	4.8	10.7	4.9	-	-
5	20.7	3.9	17.9	4.6	14.8	5.1	13.1	5.3	-	-

SP2H060E										
Tc	30			40			50			55
Te	Pf	Pa	Pf	Pa	Pf	Pa	Pf	Pa	Pf	Pa
-25	7.3	3.5	5.9	3.6	4.4	3.5	-	-	-	-
-20	9.3	3.9	7.6	4.1	5.7	4.1	-	-	-	-
-15	11.6	4.1	9.6	4.4	7.4	4.6	6.3	4.5	-	-
-10	14.3	4.4	12.0	4.8	9.4	5.0	8.1	5.0	-	-
-5	17.4	4.5	14.8	5.1	11.8	5.4	10.3	5.5	-	-
0	20.9	4.6	17.9	5.3	14.6	5.8	12.8	5.9	-	-
5	24.8	4.7	21.5	5.5	17.8	6.1	15.8	6.3	-	-

SP2H080E										
Tc	30			40			50			55
Te	Pf	Pa	Pf	Pa	Pf	Pa	Pf	Pa	Pf	Pa
-25	8.6	4.1	6.9	4.2	5.1	4.1	-	-	-	-
-20	10.9	4.5	8.8	4.7	6.7	4.7	-	-	-	-
-15	13.6	4.8	11.2	5.2	8.6	5.3	7.3	5.3	-	-
-10	16.7	5.1	14.0	5.6	11.0	5.8	9.4	5.9	-	-
-5	20.3	5.3	17.2	5.9	13.8	6.3	12	6.4	-	-
0	24.4	5.4	20.9	6.2	17.0	6.7	15	6.9	-	-
5	28.9	5.5	25.1	6.4	20.7	7.1	18.4	7.4	-	-

SP2H090E										
Tc	30			40			50			55
Te	Pf	Pa	Pf	Pa	Pf	Pa	Pf	Pa	Pf	Pa
-25	9.3	4.6	7.6	4.8	6.0	5.0	-	-	-	-
-20	12.1	5.0	9.9	5.4	7.8	5.7	-	-	-	-
-15	15.6	5.4	12.9	5.9	10.2	6.4	8.8	6.6	-	-
-10	19.8	5.7	16.6	6.4	13.3	7.0	11.6	7.3	-	-
-5	24.9	5.9	21.0	6.8	17.1	7.6	15.0	7.9	-	-
0	30.6	6.0	26.1	7.1	21.5	8.1	19.0	8.5	-	-
5	37.0	6.1	31.8	7.3	26.4	8.5	23.6	9.0	-	-

SP4HF100E/SP4HN100E										
Tc	30			40			50			55
Te	Pf	Pa	Pf	Pa	Pf	Pa	Pf	Pa	Pf	Pa
-25	11.8	5.4	9.6	5.6	7.2	5.6	-	-	-	-
-20	15.1	6.0	12.4	6.3	9.5	6.5	-	-	-	-
-15	18.9	6.5	15.8	7.0	12.3	7.3	10.4	7.4	-	-
-10	23.5	6.9	19.8	7.7	15.7	8.1	13.5	8.3	-	-
-5	28.6	7.3	24.4	8.2	19.6	8.9	17.1	9.1	-	-
0	34.5	7.6	29.7	8.7	24.3	9.5	21.3	9.8	-	-
5	41.2	7.8	35.7	9.1	29.5	10.1	26.2	10.5	-	-

SP4HF120E/SP4HN120E										
Tc	30			40			50			55
Te	Pf	Pa	Pf	Pa	Pf	Pa	Pf	Pa	Pf	Pa
-25	14.2	6.4	11.5	6.7	8.6	6.7	-	-	-	-
-20	18.1	7.2	14.9	7.6	11.4	7.8	-	-	-	-
-15	22.7	7.8	18.9	8.4	14.7	8.8	12.5	8.9	-	-
-10	28.1	8.3	23.7	9.2	18.8	9.8	16.2	9.9	-	-
-5	34.4	8.8	29.3	9.9	23.6	10.6	20.5	10.9	-	-
0	41.4	9.1	35.6	10.4	29.1	11.4	25.6	11.8	-	-
5	49.4	9.4	42.8	10.9	35.4	12.1	31.5	12.6	-	-

SP4HF150E/SP4HN150E										
Tc	30			40			50			55
Te	Pf	Pa	Pf	Pa	Pf	Pa	Pf	Pa	Pf	Pa
-25	16.6	7.5	13.5	7.8	10.1	7.8	-	-	-	-
-20	21.1	8.4	17.4	8.9	13.3	9.1	-	-	-	-
-15	26.5	9.1	22.1	9.8	17.2	10.3	14.6	10.4	-	-
-10	32.8	9.7	27.7	10.7	21.9	11.4	18.9	11.6	-	-
-5	40.1	10.2	34.1	11.5	27.5	12.4	24.0	12.7	-	-
0	48.3	10.7	41.6	12.2	34.0	13.3	29.9	13.8	-	-
5	57.6	11.0	49.9	12.8	41.4	14.2	36.7	14.7	-	-

SP4HF200E/SP4HN200E										
Tc	30			40			50			55
Te	Pf	Pa	Pf	Pa	Pf	Pa	Pf	Pa	Pf	Pa
-25	19.0	8.6	15.4	8.9	11.5	8.9	-	-	-	-

性能参数 (SP\*H, 制冷剂R507A)

SP4H300E										
Tc	30			40			50			55
Te	Pf	Pa	Pf	Pa	Pf	Pa	Pf	Pa	Pf	Pa
-25	29.0	13.1	23.5	13.9	18.0	14.6	-	-	-	-
-20	36.6	14.5	30.4	15.7	23.8	16.7	-	-	-	-
-15	45.9	15.8	38.7	17.3	30.9	18.6	26.8	19.3	-	-
-10	56.9	16.9	48.5	18.7	39.4	20.4	34.5	21.2	-	-
-5	69.7	17.7	60.0	20.0	49.3	22.1	43.5	23.1	-	-
0	84.5	18.4	73.2	21.1	60.7	23.6	53.9	24.9	-	-
5	101.2	19.0	88.2	22.1	73.7	25.0	65.8	26.5	-	-

SP4H350E										
Tc	30			40			50			55
Te	Pf	Pa	Pf	Pa	Pf	Pa	Pf	Pa	Pf	Pa
-25	35.0	15.8	28.4	16.7	21.6	17.5	-	-	-	-
-20	44.1	17.5	36.6	18.8	28.6	20.0	-	-	-	-
-15	55.2	19.0	46.5	20.8	37.1	22.3	32.2	23.1	-	-
-10	68.3	20.2	58.3	22.4	47.2	24.5	41.3	25.5	-	-
-5	83.6	21.3	72.0	23.9	59.0	26.4	52.1	27.7	-	-
0	101.2	22.1	87.7	25.3	72.6	28.3	64.5	29.7	-	-
5	121.1	22.7	105.6	26.4	88.1	30.0	78.7	31.7	-	-

SP6H370E										
Tc	30			40			50			55
Te	Pf	Pa	Pf	Pa	Pf	Pa	Pf	Pa	Pf	Pa
-25	37.9	17.1	30.8	18.1	23.6	19.1	-	-	-	-
-20	47.9	19.0	39.7	20.5	31.1	21.8	-	-	-	-
-15	60.0	20.7	50.6	22.6	40.4	24.3	35.1	25.2	-	-
-10	74.4	22.0	63.5	24.4	51.5	26.7	45.1	27.8	-	-
-5	91.2	23.2	78.5	26.1	64.4	28.9	56.9	30.2	-	-
0	110.5	24.1	95.8	27.6	79.4	30.9	70.5	32.5	-	-
5	132.4	24.8	115.4	28.9	96.4	32.8	86.1	34.7	-	-

SP6H400E										
Tc	30			40			50			55
Te	Pf	Pa	Pf	Pa	Pf	Pa	Pf	Pa	Pf	Pa
-25	43.6	19.7	35.4	20.9	27.1	21.9	-	-	-	-
-20	55.0	21.9	45.6	23.5	35.8	25.1	-	-	-	-
-15	69.0	23.7	58.1	26.0	46.5	28.0	40.3	29.0	-	-
-10	85.5	25.3	73.0	28.1	59.2	30.7	51.9	32.0	-	-
-5	104.9	26.7	90.3	30.0	74.1	33.2	65.4	34.7	-	-
0	127.1	27.7	110.1	31.7	91.2	35.5	81.1	37.4	-	-
5	152.2	28.5	132.7	33.2	110.8	37.7	99.0	39.9	-	-

SP6H500E										
Tc	30			40			50			55
Te	Pf	Pa	Pf	Pa	Pf	Pa	Pf	Pa	Pf	Pa
-25	52.4	23.6	42.5	25.0	32.5	26.2	-	-	-	-
-20	66.1	26.3	54.8	28.3	42.9	30	-	-	-	-
-15	82.7	28.5	69.8	31.1	55.7	33.5	48.3	34.7	-	-
-10	102.5	30.4	87.5	33.7	70.9	36.7	62.1	38.2	-	-
-5	125.6	31.9	108.1	36.0	88.6	39.7	78.2	41.6	-	-
0	152.0	33.2	131.8	38.0	109.1	42.5	96.9	44.7	-	-
5	182.0	34.1	158.6	39.7	132.4	45.0	118.3	47.6	-	-

SP8H600E										
Tc	30			40			50			55
Te	Pf	Pa	Pf	Pa	Pf	Pa	Pf	Pa	Pf	Pa
-25	68.0	29.0	49.5	29.5	37.4	29.2	-	-	-	-
-20	83.6	31.8	64.1	33.3	50.1	33.9	-	-	-	-
-15	102.2	34.5	81.3	37.0	64.9	38.7	56.9	38.9	-	-
-10	124.2	36.8	101.5	40.6	82.4	43.4	72.6	44.2	-	-
-5	150.1	38.9	125.0	43.9	102.7	48.0	91.1	49.5	-	-
0	180.1	40.4	152.3	46.9	126.4	52.4	112.6	54.7	-	-
5	214.7	41.5	183.7	49.5	153.8	56.7	137.7	59.7	-	-

SP8H700E										
Tc	30			40			50			55
Te	Pf	Pa	Pf	Pa	Pf	Pa	Pf	Pa	Pf	Pa
-25	81.1	34.6	59.1	35.3	44.6	34.8	-	-	-	-
-20	99.7	38.0	76.5	39.8	59.8	40.5	-	-	-	-
-15	122.0	41.2	97.0	44.2	77.5	46.1	67.9	46.5	-	-
-10	148.3	44.0	121.1	48.4	98.3	51.8	86.7	52.8	-	-
-5	179.1	46.4	149.2	52.4	122.6	57.3	108.7	59.1	-	-
0	215.0	48.3	181.8	56.0	150.9	62.6	134.4	65.3	-	-
5	256.3	49.6	219.3	59.1	183.6	67.6	164.4	71.3	-	-

图例  
 Pf = 制冷量(kW)  
 Pa = 输入功率(kW)  
 Te = 蒸发温度(°C)  
 Tc = 冷凝温度(°C)  
 50Hz = 频率  
 液体过冷度5K  
 吸气过热度10K  
 表示需要附加冷却(参考应用界限)  
 参考全负荷50Hz运转界限  
 不同工况下的性能数据请参考莱富康选型软件

性能参数 (SP\*L, 制冷剂R507A)

SP2L030E										
Tc	30			40			50			52
Te	Pf	Pa	Pf	Pa	Pf	Pa	Pf	Pa	Pf	Pa
-40	2.5	1.9	1.9	1.9	1.4	1.8	-	-	-	-
-35	3.5	2.3	2.8	2.3	2.1	2.3	-	-	-	-
-30	4.7	2.6	3.8	2.6	2.9	2.7	2.7	2.7	-	-
-25	6.1	2.9	4.9	3	3.8	3.2	3.6	3.2	-	-
-20	7.7	3.2	6.3	3.4	5	3.6	4.7	3.6	-	-
-15	9.6	3.4	8	3.8	6.4	4	6.1	4.1	-	-
-10	11.9	3.6	10	4.1	8.2	4.5	7.8	4.6	-	-
-6	14.1	3.8	12	4.3	9.9	4.8	-	-	-	-

SP2L040E										
Tc	30			40			50			52
Te	Pf	Pa	Pf	Pa	Pf	Pa	Pf	Pa	Pf	Pa
-40	3	2.3	2.2	2.2	1.6	2.2	-	-	-	-
-35	4.3	2.7	3.3	2.7	2.5	2.7	-	-	-	-
-30	5.7	3.1	4.5	3.2	3.5	3.2	3.3	3.2	-	-
-25	7.3	3.5	5.9	3.6	4.6	3.8	4.4	3.8	-	-
-20	9.2	3.8	7.5	4.1	6	4.3	5.7	4.3	-	-
-15	11.5	4.1	9.5	4.5	7.7	4.8	7.3	4.9	-	-
-10	14.2	4.4	12	4.9	9.8	5.3	9.3	5.4	-	-
-6	16.9	4.5	14.3	5.2	11.8	5.8	-	-	-	-

SP2L050E										
Tc	30			40			50			52
Te	Pf	Pa	Pf	Pa	Pf	Pa	Pf	Pa	Pf	Pa
-40	3.5	2.6	2.6	2.6	1.9	2.5	-	-	-	-
-35	5	3.1	3.9	3.1	2.9	3.1	-	-	-	-
-30	6.6	3.6	5.3	3.7	4.1	3.7	3.8	3.8	-	-
-25	8.5	4	6.9	4.2	5.4	4.4	5.1	4.4	-	-
-20	10.7	4.4	8.8	4.7	7	5	6.6	5	-	-
-15	13.4	4.7	11.1	5.2	8.9	5.6	8.5	5.7	-	-
-10	16.6	5.1	14	5.7	11.4	6.2	10.9	6.3	-	-
-6	19.7	5.3	16.7	6	13.8	6.7	-	-	-	-

SP2L060E										
Tc	30			40			50			52
Te	Pf	Pa	Pf	Pa	Pf	Pa	Pf	Pa	Pf	Pa
-40	4	3	3	2.9	2.2	2.9	-	-	-	-
-35	5.7	3.6	4.4	3.6	3.4	3.6	-	-	-	-
-30	7.6	4.1	6	4.2	4.6	4.3	4.4	4.3	-	-
-25	9.7	4.6	7.9	4.8	6.1	5	5.8	5	-	-
-20	12.3	5	10.1	5.4	8	5.7	7.5	5.7	-	-
-15	15.3	5.4	12.7	5.9	10.2	6.4	9.7	6.5	-	-
-10	19	5.7	16	6.4	13	7.1	12.5	7.2	-	-
-6	22.5	6	19.1	6.8	15.8	7.6	-	-	-	-

SP4LF060E/SP4LN060E										
Tc	30			40			50			52
Te	Pf	Pa	Pf	Pa	Pf	Pa	Pf	Pa	Pf	Pa
-40	5.2	3.4	4.0	3.4	2.7	3.3	-	-	-	-
-35	6.9	4.0	5.4	4.1	3.8	4.2	-	-	-	-
-30	9.2	4.6	7.3	4.9	5.3	5.1	5.0	5.1	-	-
-25	11.9	5.2	9.7	5.6	7.4	6.0	6.9	6.1	-	-
-20	15.1	5.8	12.5	6.3	9.9	6.8	9.4	6.9	-	-
-15	18.8	6.4	15.9	7.0	12.9	7.7	12.3	7.8	-	-
-10	23.0	6.9	19.8	7.7	16.4	8.5	15.7	8.7	-	-
-6	26.8	7.3	23.2	8.2	19.5	9.1	-	-	-	-

SP4LF080E/SP4LN080E										
Tc	30			40			50			52
Te	Pf	Pa	Pf	Pa	Pf	Pa	Pf	Pa	Pf	Pa
-40	6.2	4.1	4.8	4.0	3.3	4.0	-	-	-	-
-35	8.3	4.8	6.5	4.9	4.6	5.1	-	-	-	-
-30	11.0	5.6	8.7	5.8	6.4	6.1	5.9	6.2	-	-
-25	14.3	6.3	11.6	6.7	8.9	7.2	8.3	7.3	-	-
-20	18.1	7.0	15.0	7.6	11.9	8.2	11.2	8.3	-	-
-15	22.6	7.7	19.1	8.4	15.5	9.2	14.8	9.4	-	-
-10	27.7	8.3	23.7	9.2	19.7	10.2	18.8	10.4	-	-
-6	32.1	8.8	27.8	9.9	23.4	11.0	-	-	-	-

SP4LF100E/SP4LN100E										
Tc	30			40			50			52
Te	Pf	Pa	Pf	Pa	Pf	Pa	Pf	Pa	Pf	Pa
-40	7.3	4.7	5.6	4.7	3.8	4.6	-	-	-	-
-35	9.7	5.6	7.5	5.8	5.3	5.9	-	-	-	-
-30	12.8	6.5	10.2	6.8	7.5	7.1	6.9	7.2	-	-
-25	16.6	7.3	13.5	7.8	10.3	8.4	9.7	8.5	-	-
-20	21.1	8.1	17.5	8.8	13.					



## 性能参数 (SP\*L, 制冷剂R507A)

SP4L220E								
Tc	30		40		50		52	
Te	Pf	Pa	Pf	Pa	Pf	Pa	Pf	Pa
-40	12.8	8.3	9.8	8.2	6.7	8.1	-	-
-35	17.0	9.9	13.3	10.1	9.3	10.4	-	-
-30	22.5	11.4	17.9	12.0	13.1	12.5	12.2	12.7
-25	29.2	12.9	23.8	13.8	18.1	14.7	17.0	14.9
-20	37.1	14.3	30.8	15.5	24.3	16.8	23.0	17.1
-15	46.3	15.7	39.1	17.2	31.7	18.9	30.2	19.2
-10	56.7	17.0	48.6	18.9	40.3	20.9	38.6	21.3
-6	65.9	18.0	57.0	20.2	48.0	22.5	-	-

SP4L250E								
Tc	30		40		50		52	
Te	Pf	Pa	Pf	Pa	Pf	Pa	Pf	Pa
-40	15.4	10.0	11.8	9.9	8.1	9.8	-	-
-35	20.5	11.9	15.9	12.2	11.2	12.5	-	-
-30	27.1	13.7	21.5	14.4	15.8	15.1	14.6	15.2
-25	35.1	15.5	28.6	16.6	21.8	17.7	20.5	17.9
-20	44.7	17.2	37.1	18.7	29.3	20.2	27.7	20.5
-15	55.7	18.9	47.0	20.7	38.2	22.7	36.4	23.1
-10	68.2	20.5	58.4	22.8	48.5	25.1	46.5	25.6
-6	79.2	21.7	68.6	24.3	57.8	27.1	-	-

SP6L270E								
Tc	30		40		50		52	
Te	Pf	Pa	Pf	Pa	Pf	Pa	Pf	Pa
-40	16.7	10.9	12.8	10.8	8.8	10.6	-	-
-35	22.3	12.9	17.3	13.3	12.2	13.5	-	-
-30	29.4	14.9	23.4	15.7	17.2	16.4	15.9	16.6
-25	38.2	16.9	31.1	18.0	23.7	19.2	22.3	19.5
-20	48.6	18.7	40.3	20.3	31.8	22.0	30.1	22.3
-15	60.6	20.5	51.1	22.6	41.5	24.7	39.5	25.1
-10	74.1	22.3	63.5	24.7	52.7	27.3	50.5	27.9
-6	86.2	23.6	74.6	26.4	62.8	29.4	-	-

SP6L300E								
Tc	30		40		50		52	
Te	Pf	Pa	Pf	Pa	Pf	Pa	Pf	Pa
-40	19.2	12.5	14.8	12.4	10.1	12.2	-	-
-35	25.6	14.9	19.9	15.2	14.0	15.6	-	-
-30	33.8	17.2	26.9	18.0	19.8	18.9	18.3	19.0
-25	43.9	19.4	35.7	20.7	27.3	22.1	25.6	22.4
-20	55.8	21.5	46.3	23.4	36.6	25.3	34.6	25.7
-15	69.6	23.6	58.8	25.9	47.7	28.4	45.5	28.9
-10	85.2	25.6	73.0	28.4	60.6	31.4	58.1	32.0
-6	99.0	27.1	85.8	30.4	72.2	33.8	-	-

SP6L400E								
Tc	30		40		50		52	
Te	Pf	Pa	Pf	Pa	Pf	Pa	Pf	Pa
-40	23.1	15.0	17.7	14.9	12.1	14.7	-	-
-35	30.7	17.8	23.9	18.3	16.8	18.7	-	-
-30	40.6	20.6	32.3	21.6	23.7	22.6	22.0	22.8
-25	52.7	23.2	42.9	24.9	32.8	26.5	30.7	26.9
-20	67.0	25.8	55.6	28.0	43.9	30.3	41.6	30.8
-15	83.5	28.3	70.5	31.1	57.2	34.1	54.6	34.7
-10	102.3	30.7	87.7	34.1	72.7	37.7	69.7	38.4
-6	118.8	32.5	102.9	36.5	86.6	40.6	-	-

SP8L500E								
Tc	30		40		50		52	
Te	Pf	Pa	Pf	Pa	Pf	Pa	Pf	Pa
-40	34.8	20.6	17.6	18.5	9.2	15.8	-	-
-35	43.8	22.8	26.6	21.6	17.3	19.7	-	-
-30	54.7	25.5	37.1	25.2	26.5	24.2	24.8	23.6
-25	67.8	28.4	49.4	29.1	37.2	29.1	35.0	28.8
-20	83.4	31.4	63.9	33.2	49.7	34.3	47.1	34.2
-15	101.9	34.2	81.0	37.3	64.5	39.6	61.3	39.7
-10	123.7	36.8	101.0	41.2	81.8	44.8	78.0	45.1
-6	143.8	38.5	119.4	44.0	97.8	48.7	-	-

SP8L600E								
Tc	30		40		50		52	
Te	Pf	Pa	Pf	Pa	Pf	Pa	Pf	Pa
-40	41.6	24.5	21.1	22.1	11.0	18.9	-	-
-35	52.3	27.2	31.8	25.8	20.7	23.5	-	-
-30	65.3	30.4	44.3	30.0	31.6	28.9	29.6	28.2
-25	80.9	33.9	59.0	34.7	44.4	34.8	41.8	34.4
-20	99.5	37.4	76.3	39.6	59.3	41.0	56.2	40.8
-15	121.6	40.9	96.7	44.5	76.9	47.3	73.1	47.4
-10	147.7	43.9	120.6	49.1	97.7	53.4	93.1	53.9
-6	171.7	46.0	142.6	52.5	116.7	58.2	-	-

图例  
 Pf = 制冷量(kW)  
 Pa = 输入功率(kW)  
 Te = 蒸发温度(°C)  
 Tc = 冷凝温度(°C)  
 50Hz = 频率  
 液体过冷度5K  
 吸气过热度10K  
 表示需要附加冷却(参考应用界限)  
 参考全负荷50Hz运转界限  
 不同工况下的性能数据请参考莱富康选型软件

## 供货范围

### 标准配件项目:

- SP2星形接法电机 (400V/3/50Hz)或者三角形接法电机 (230V/3/50Hz) ;
- 部分绕组启动电机 (400V/3/50Hz 或 460V/3/60Hz);
- 曲轴箱加热器;
- 排气截止阀;
- 吸气截止阀;
- 弹簧减震垫 (SP2和SP8为橡胶减震垫) ;
- 直接启动过桥(DOL);
- 安全阀;
- 油视镜;
- 油过滤器(仅对带油泵压缩机);
- 油充注;
- PTC热敏保护电阻;
- INT69保护模块 (230V/1/50 或 60Hz) (SP2) ;
- INT69B2保护模块 (230V/1/50 或 60Hz) (除SP2外) ;
- IP54等级电气盒;
- 充氮保护。

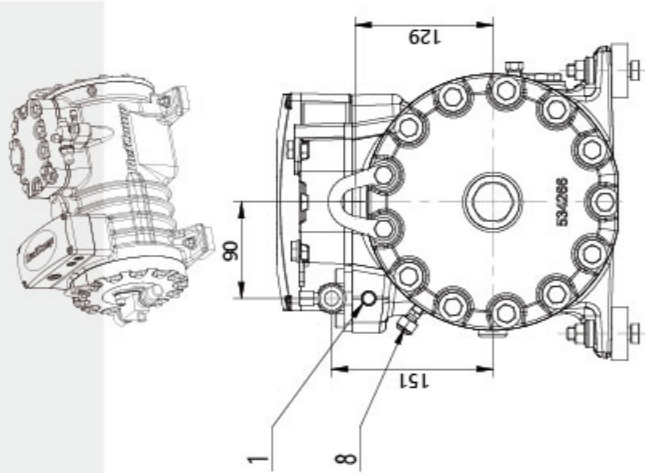
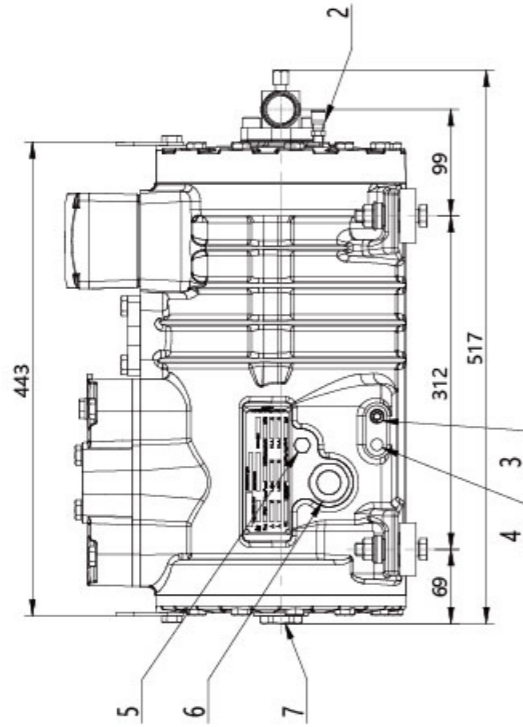
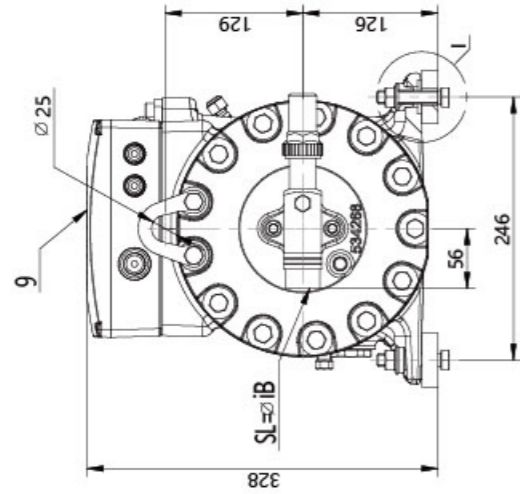
### 可选配件项目:

- SP2星形接法电机 (380V/3/60Hz)或者三角形接法电机 (220V/3/60Hz) ;
- 星-三角启动电机 (400V/3/50Hz-460V/3/60Hz) ;
- 特殊电压的电机;
- 油压差开关组件 (仅适用于强制润滑压缩机) ;
- 光电油位开关组件 (仅适用于飞溅式润滑压缩机) ;
- CR能量调节组件;
- SU卸载启动组件;
- 喷液组件 (不适用于SP2) ;
- 风扇组件 (不适用于SP8) ;
- 排温探头组件;
- 油充注阀;
- 压缩机并联接口;
- 特殊包装。

压缩机类型	能量调节的级数	能量调节点	能量调节的级数	能量调节点
2缸	-	-	-	-
4缸	1	50%	-	-
6缸	1	66%	2	66%-33%
8缸	1	75%	2	75%-50%

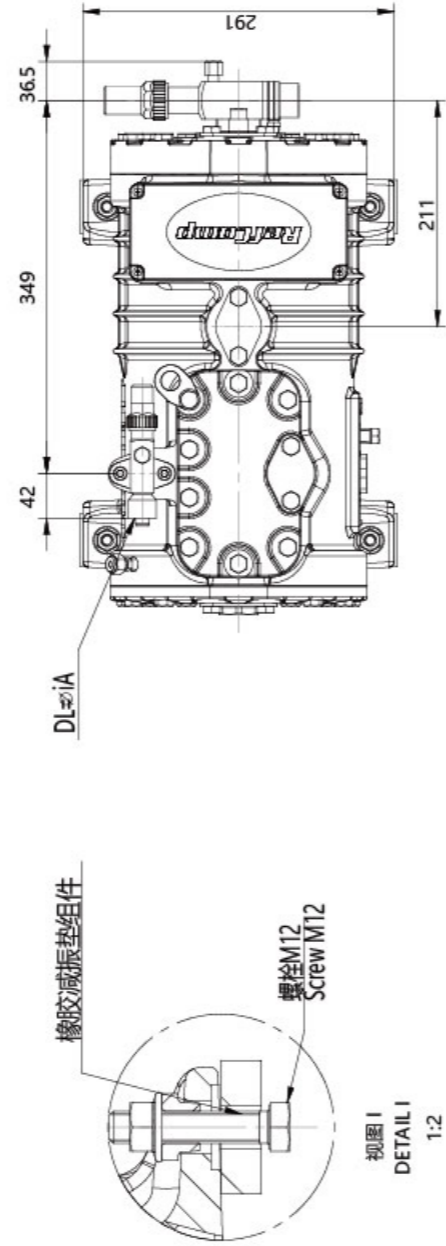
压缩机的电子配件 (电子保护模块, 曲轴箱加热器, CR, SU电磁阀线圈) 的标准电制均为230V AC 50/60Hz, 如需特殊电制的配件, 请咨询RefComp。

SP2L0300/SP2L030E、SP2L0400/SP2L040E、  
SP2L(H)0500/SP2L050E、SP2L(H)0600/SP2L060E



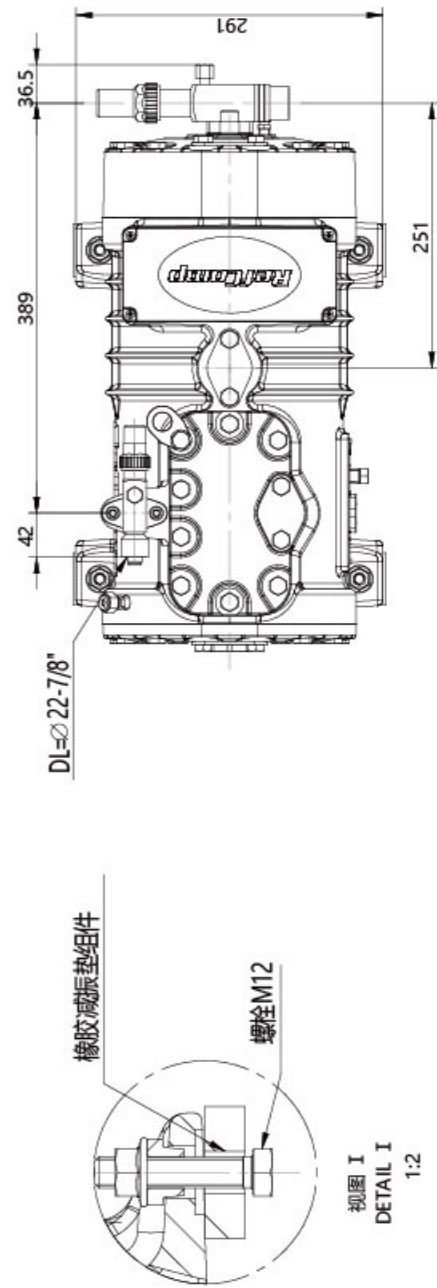
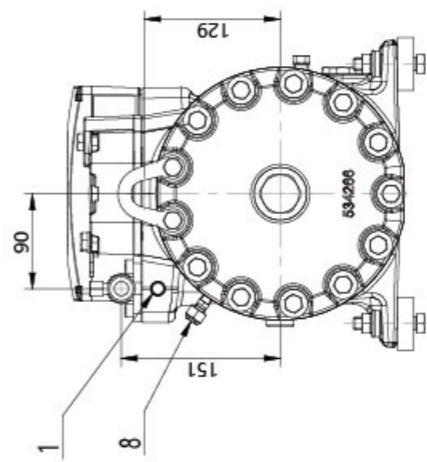
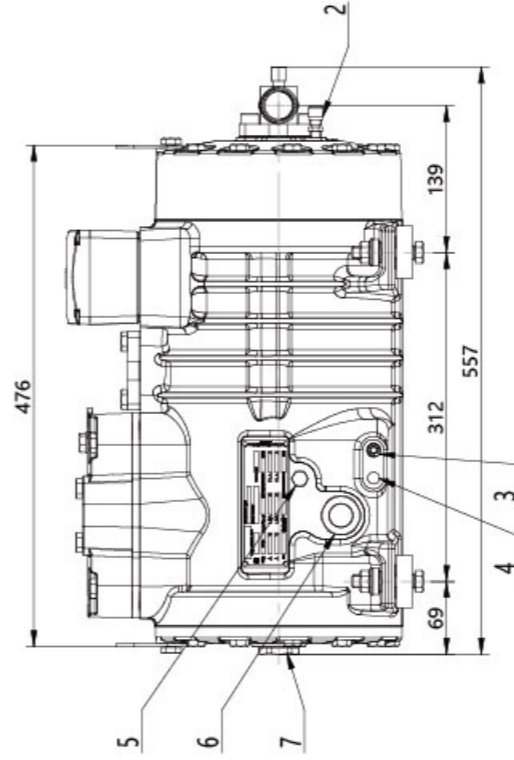
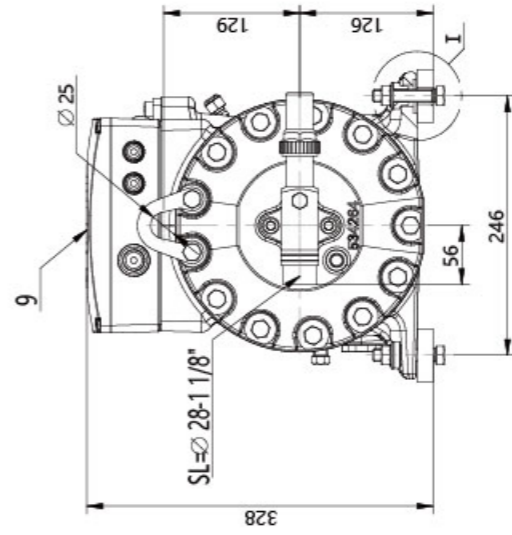
Serie/Type	
SP2L0300-SP2H0500	SP2L0500
SP2L0400-SP2H0600	SP2L0600
SL=Φ	28-1 1/8"
DL=Φ	16-5/8"
	22-7/8"

图例	名称
1	吸气截止阀SL
2	排气截止阀DL
3	排气温度传感器1/8"NPT(可选件)
4	高压接口1/4"SAE-FLARE
5	低压接口1/4"SAE-FLARE
6	排油嘴1/4"NPT
7	曲轴箱加热器
8	注油口截止阀1/4"NPT
9	油位视镜
10	油位传感器(可选件)



视图 I  
DETAIL I  
1:2

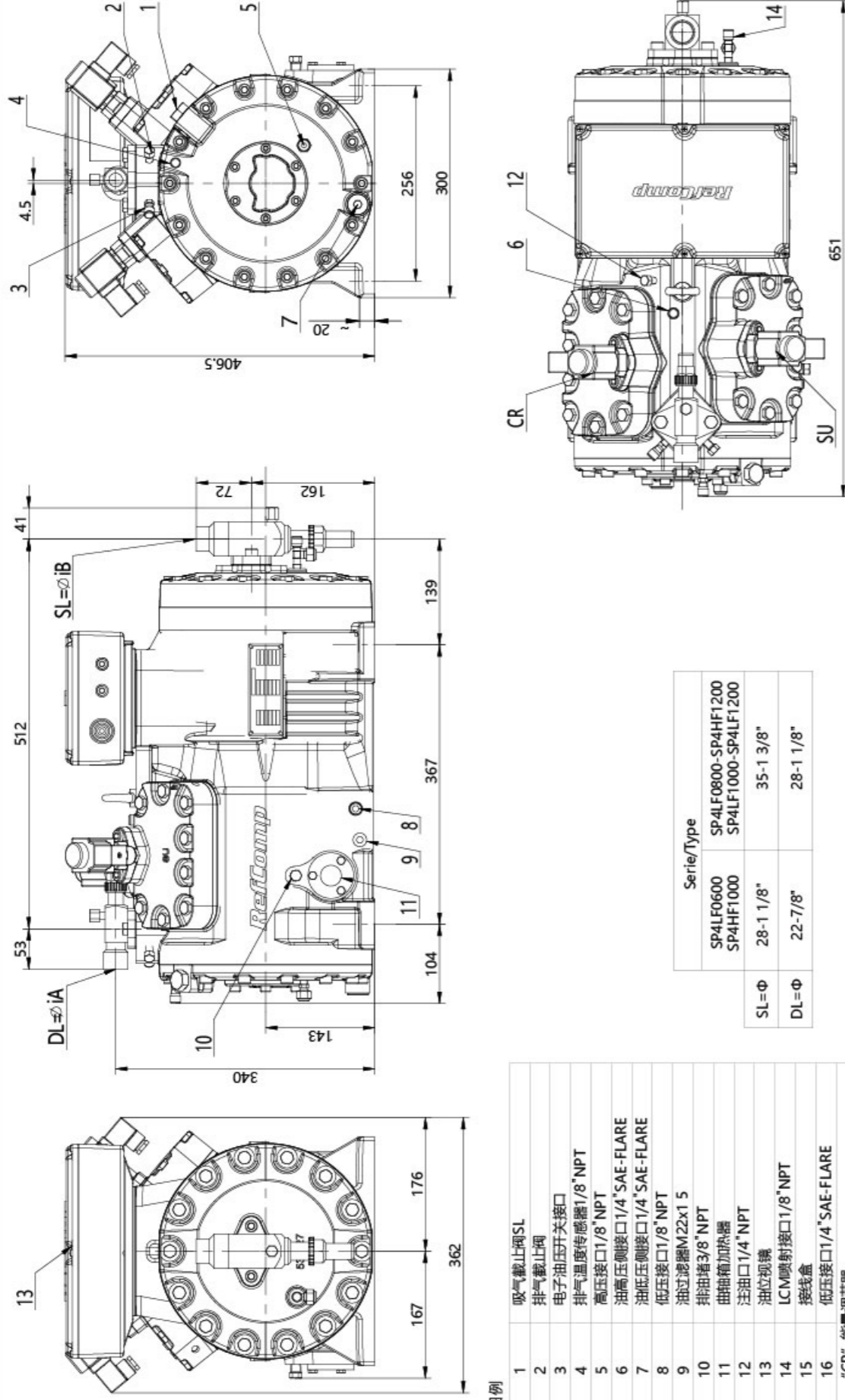
SP2H0800/SP2H080E、  
SP2H0900/SP2H090E



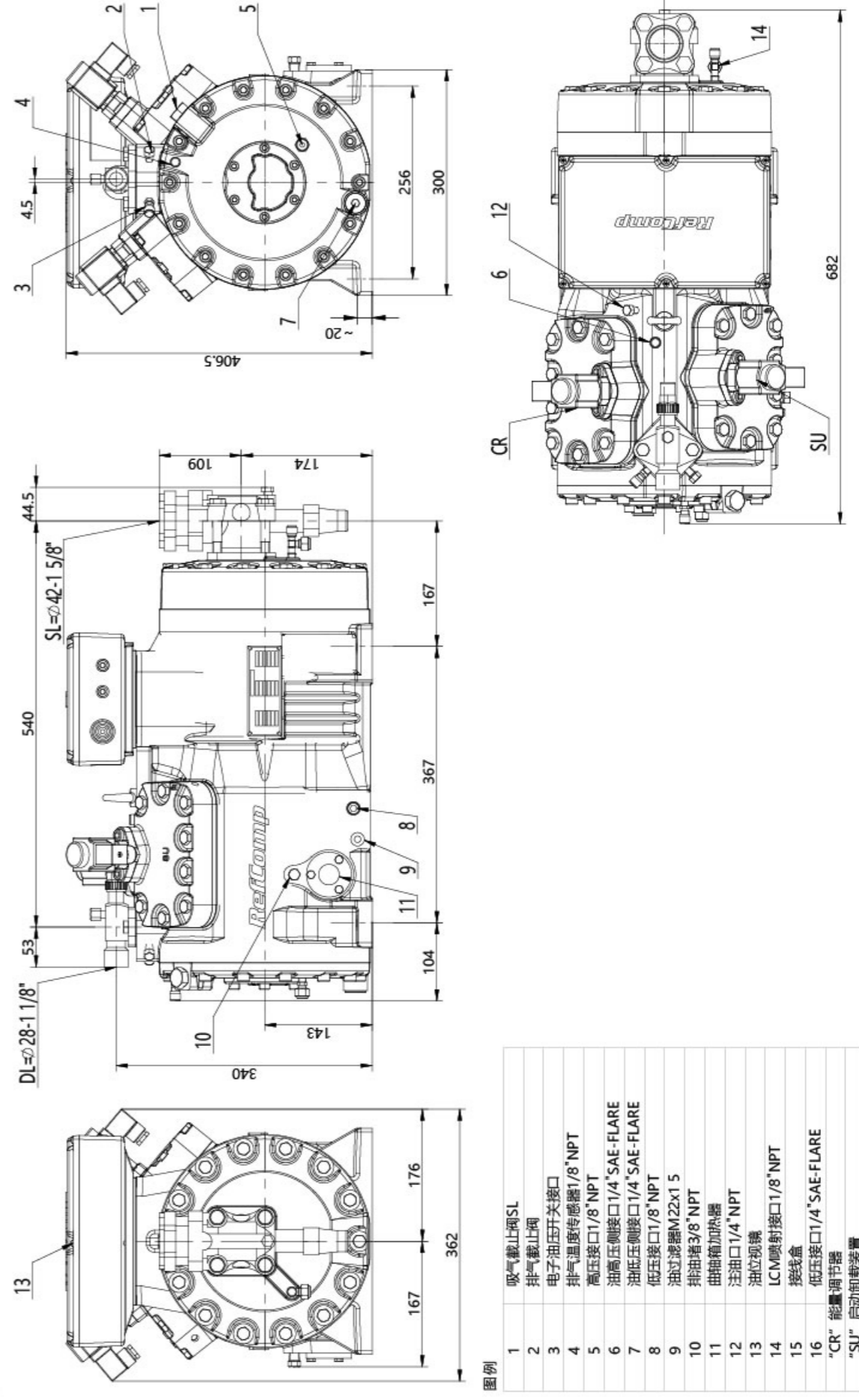
视图 I  
DETAIL I  
1:2

图例	名称
1	吸气截止阀SL
2	排气截止阀DL
3	排气温度传感器1/8"NPT(可选件)
4	高压接口1/4"SAE-FLARE
5	低压接口1/4"SAE-FLARE
6	排油嘴1/4"NPT
7	曲轴箱加热器
8	注油口截止阀1/4"NPT
9	油位视镜
10	油位传感器(可选件)

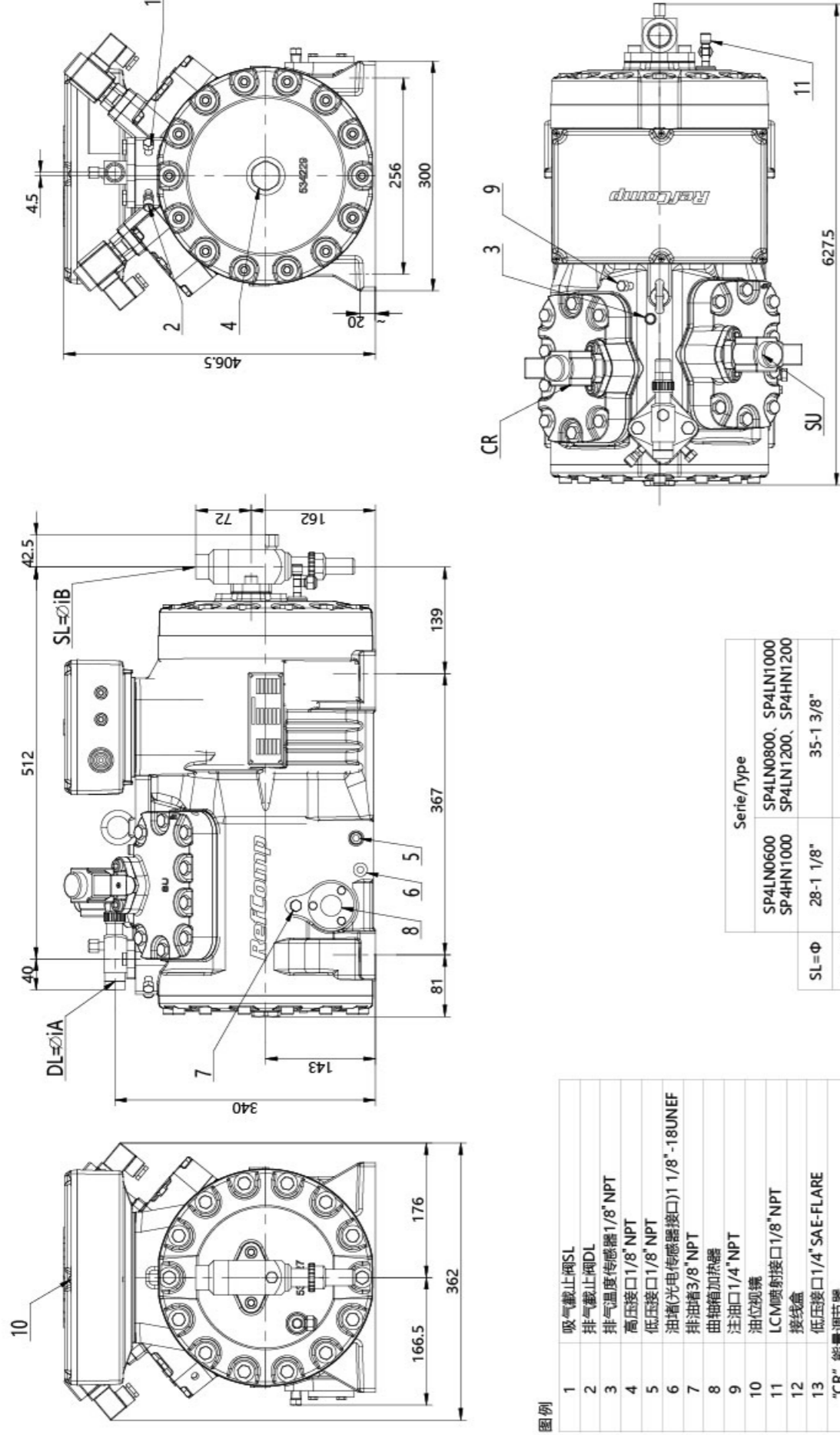
SP4LF0600/SP4LF1000/SP4LF1200/SP4LF0800E、  
SP4L(H)F1000/SP4L(H)F100E、SP4L(H)F1200/SP4L(H)F120E



SP4HF1500/SP4HF150E、  
SP4HF2000/SP4HF200E

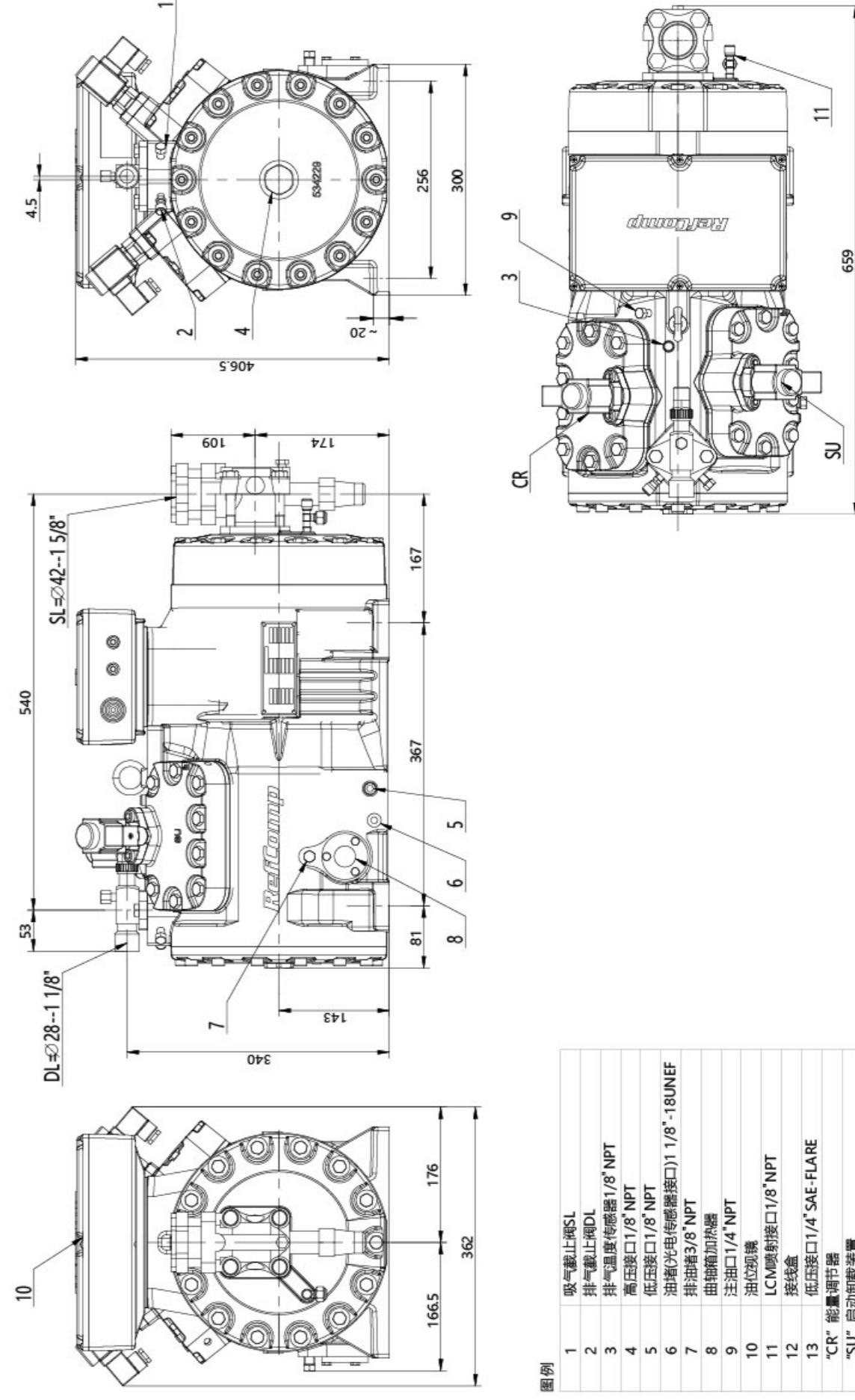


SP4LN0600/SP4LN060E、SP4LN0800/SP4LN080E、  
SP4L(H)N1000/SP4L(H)N100E、SP4L(H)N1200/SP4L(H)N120E



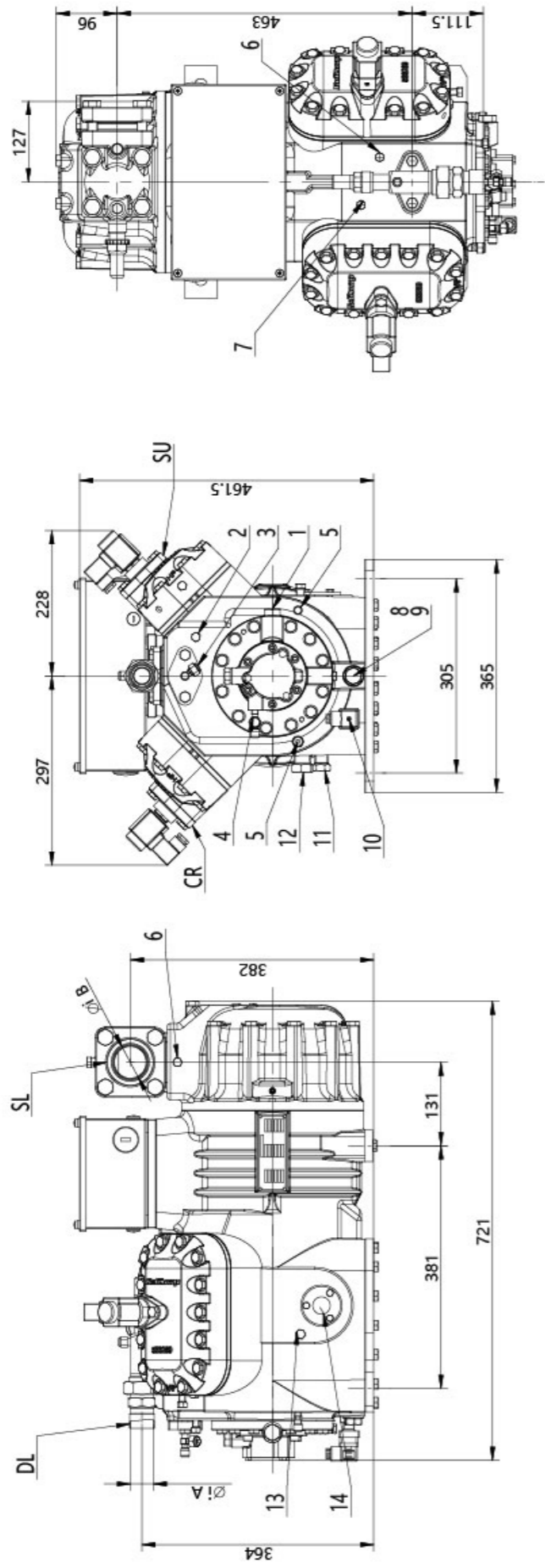
- 图例
- 1 吸气截止阀SL
  - 2 排气截止阀DL
  - 3 排气温度传感器1/8" NPT
  - 4 高压接口1/8" NPT
  - 5 低压接口1/8" NPT
  - 6 油堵(光电传感器接口)1/8"-18UNEF
  - 7 排油堵3/8" NPT
  - 8 曲轴箱加热器
  - 9 注油口1/4" NPT
  - 10 油位视镜
  - 11 LCM喷射接口1/8" NPT
  - 12 接线盒
  - 13 低压接口1/4" SAE-FLARE
- "CR" 能量调节器  
"SU" 启动卸载装置

SP4HN1500/SP4HN150E、  
SP4HN2000/SP4HN200E



- 图例
- 1 吸气截止阀SL
  - 2 排气截止阀DL
  - 3 排气温度传感器1/8" NPT
  - 4 高压接口1/8" NPT
  - 5 低压接口1/8" NPT
  - 6 油堵(光电传感器接口)1/8"-18UNEF
  - 7 排油堵3/8" NPT
  - 8 曲轴箱加热器
  - 9 注油口1/4" NPT
  - 10 油位视镜
  - 11 LCM喷射接口1/8" NPT
  - 12 接线盒
  - 13 低压接口1/4" SAE-FLARE
- "CR" 能量调节器  
"SU" 启动卸载装置

SP4L1500—SP4L2500/SP4L150E—SP4L250E;  
 SP4H2200—SP4H3500/SP4H220E—SP4H350E



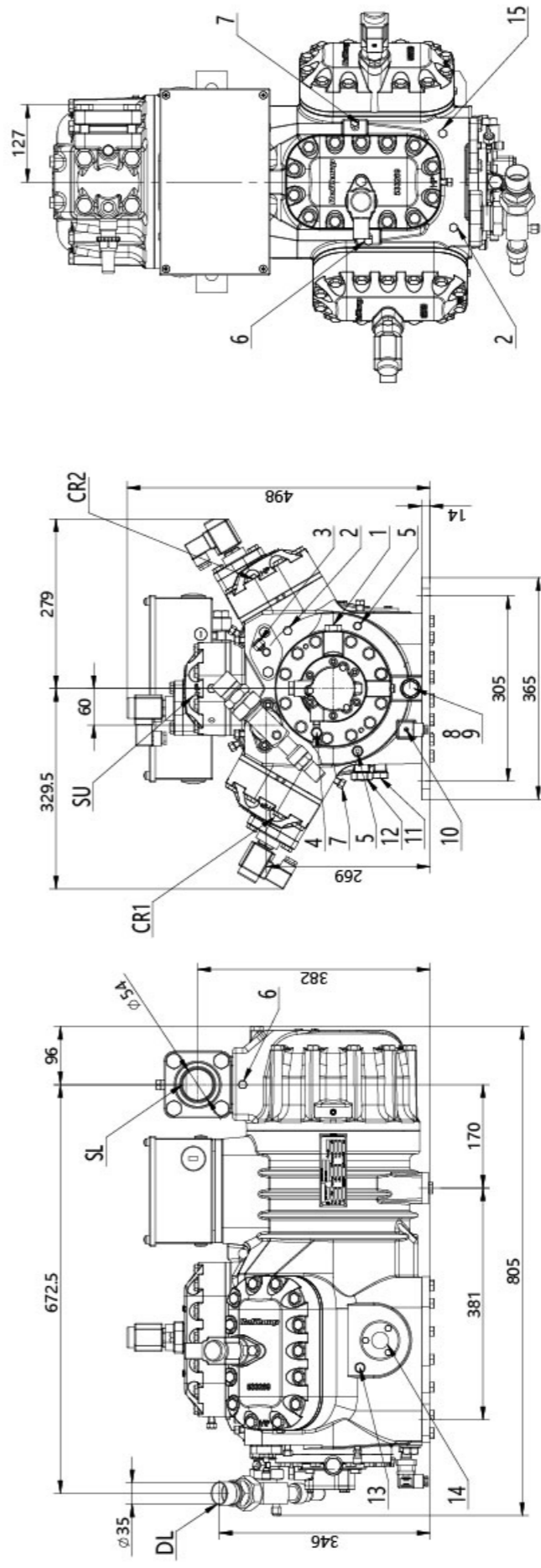
图例

1	电子油压开关接口
2	排气温度传感器
3	高压接口 1/4" SAE..FLARE
4	油高压侧接口 1/4" SAE-FLARE
5	油低压侧接口 1/4" SAE-FLARE
6	低压接口 1/8" NPT
7	低压接口 1/8" NPT (液体喷射)
8	油过滤器
9	排油堵
10	曲轴箱加热器
11	油平衡接口(并联运行)
12	气平衡接口(并联运行)
13	注油口 1/4" NPT

14	油位视镜
(DL)	排气截止阀
(SL)	吸气截止阀
(L1)	电磁阀 第1级
(L2)	电磁阀 第2级
(SU)	启动卸载电磁阀

SERIE P	Φ1 A	Φ1 B
SP4H2200/220E	28	42
SP4L1500/150E	28	42
SP4H2500/250E	28	54
SP4L1800/180E	28	42
SP4H3000/300E	28	54
SP4L2200/220E	28	54
SP4H3500/350E	35	54
SP4L2500/250E	35	54

SP6L2700—SP6L3000/SP6L270E—SP6L300E;  
 SP6H3700—SP6H4000/SP6H370E—SP6L400E



图例

1	电子油压开关接口
2	排气温度传感器
3	高压接口 1/4" SAE..FLARE
4	油高压侧接口 1/4" SAE-FLARE
5	油低压侧接口 1/4" SAE-FLARE
6	低压接口 1/8" NPT
7	低压接口 1/8" NPT (液体喷射)
8	油过滤器
9	排油堵
10	曲轴箱加热器
11	油平衡接口(并联运行)
12	气平衡接口(并联运行)
13	注油口 1/4" NPT

14	油位视镜
15	高压接口 1/4" NPT
(DL)	排气截止阀
(SL)	吸气截止阀
(L1)	电磁阀 第1级
(L2)	电磁阀 第2级
(SU)	启动卸载电磁阀

